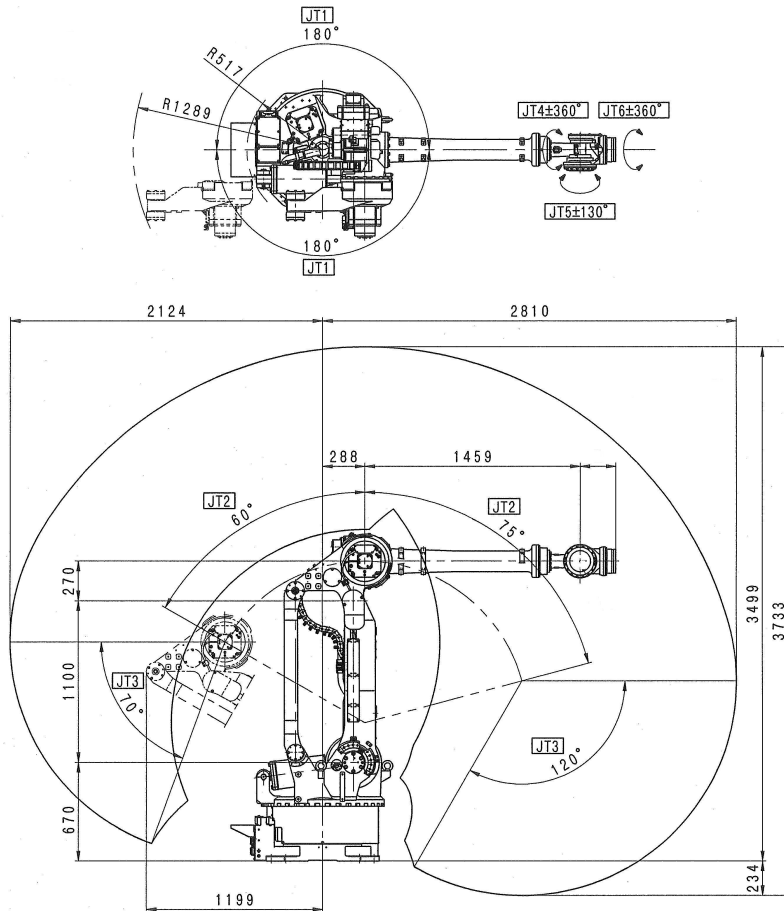


# ZX165L



Type	Articulated Robot		
Degree of Freedom	6		
Motion Range and Maximum Speed	JT	Motion Range	Max. Speed
	1	±180°	100°/s
	2	-60°~+75°	105°/s
	3	-120°~+250°	95°/s
	4	±360°	135°/s
	5	±130°	135°/s
6	±360°	210°/s	
Max. Payload	165 kg		
Wrist Load Capacity	JT	Torque	Moment of Inertia
	4	911.4 N·m	78.4 kg·m <sup>2</sup>
	5	911.4 N·m	78.4 kg·m <sup>2</sup>
6	450.8 N·m	40.2 kg·m <sup>2</sup>	
Repeatability	±0.3 mm		
Mass	Approx. 1355 kg		
Acoustic noise	< 70 db (A)*		