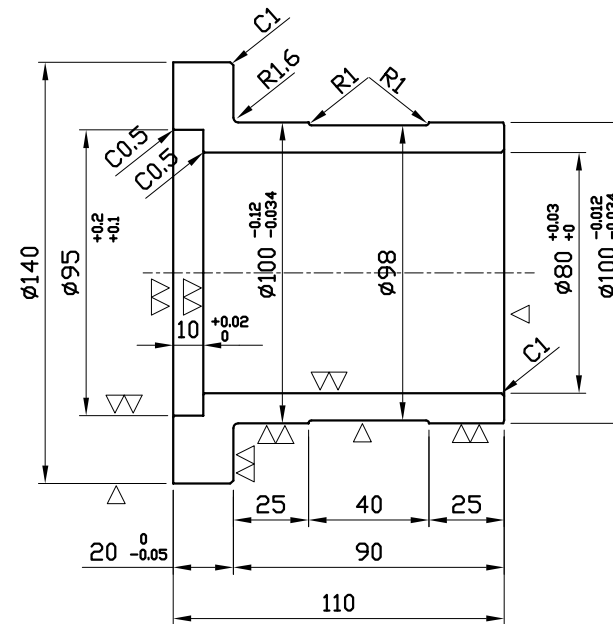
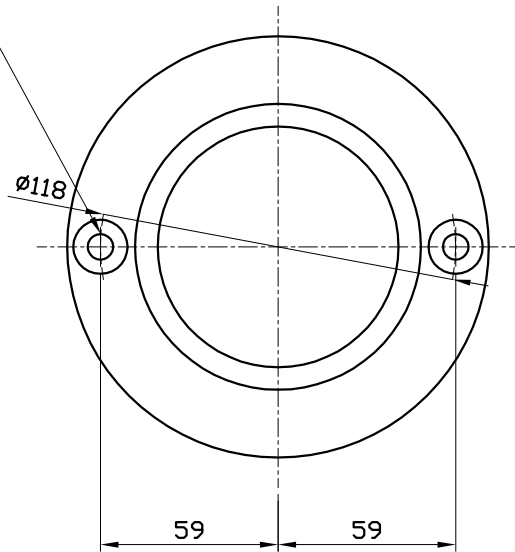



2- $\phi 10$ Drill 관통
 $\phi 18$ C.B DP11



		S45C	1EA	
NO.	PARTS NAME	MAT'L	Q'TY	SIZE REMARKS
MACHINE 100TON COLD CHAMBER DIE CASTING M/C				
PARTS DWG				
PARTS NO		PARTS NAME Sleeve bushing		
DGN	PCJ	CHK	APP	DATE 2005.12.20 SCALE 1 / 1
 HANARO ENG				